


DMX 350W LED Follow Light

VG-LFL350C-D



CE RoHS

User Manual

 Please read this user manual before using this product!

Keep it for further reference!

<http://www.vangaa.com>

INDEX

I INTRODUCTION..... 01

II DESCRIPTION OF THE DEVICE 02

III INSTALLATION..... 04

IV OPERATION 07

V DMX CHANNELS 08

VI APPENDIX..... 09

Thank you for using our product! Please read this manual carefully and completely. For technical reference in future, please keep this user manual well. This user manual contains all installation and operation information of this DMX Controlled LED Follow Light, it's very useful for user to install and operate the light. Please strictly abide by the relevant instruction for the installation and operation.

This light has very beautiful appearance. This is a professional LED Follow Light. It uses high power LED integrated lamp (COB lamp) as the light emitting element. So the light has high light efficiency, good color effect, low glare value, long lifespan, energy conservation, environmental protection and other advantages. The light has high brightness, uniform light, which is very suitable for stage, TV station, and other performance places. Using DMX signal to realize the linear dimmer, more convenience. This light is saving energy and protecting environment, pure color temperature, it is a very suitable substitute of the traditional 750 profile light.

This light meets the following criteria:

GB7000.1-2007/IEC60598-1:2003

GB7000.217-2008/IEC60598-2-17:1984+A2:1990

I INTRODUCTION

Thank you for having chosen our 350w led follow light. You will see you have acquired a powerful and versatile device.

Unpack your led 350z follow light

Delivery includes

Mounting holder 1pc

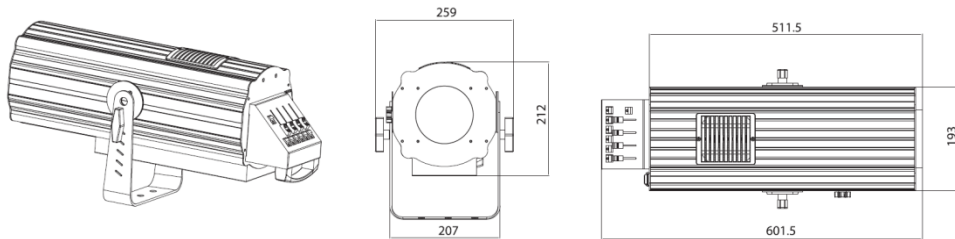
Power cable	1pc
User manual	1pc

II DESCRIPTION OF THE DEVICE

1. Profile

With the idea of energy saving and environment protection, the device use lower power loss and extremely high efficiency led. The device housing cover is made of used the new high strength heat resistance engineering plastics, with beautiful shape and smooth lines. The designing and manufacturing is in compliance with IEC standard. The device is suitable in the large-scale theatrical performance, the theater, the performance hall, the bar night club and so on.

2. Overview



All dimensions are in millimeters

3. Specification

Light source: 350W LED, high brightness LED lamp, brightness is more than 1500W discharge lamp

Color temperature: 8000-85000K

Lifespan of LED: more than 50000hours

Luminous flux: 20000lm-24000lm

Power supply: AC100V-240V, 50/60Hz

Power consumption: 450W

Color wheel: 5 colors + open white

CTO wheel: 3200K, 4500K, 5600K

Focus: manual focus, 7° -13°

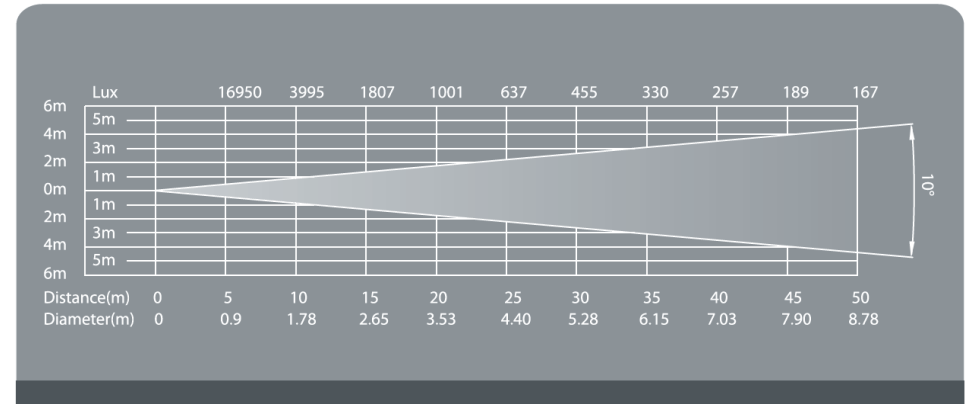
Strobe: 1-20 flash per second

Dimension: D860*W305*H295mm

Net weight: 11.5kgs

Gross weight: 14kgs

4. Photographic chart



5. Safety warning

1). Warning:

- Every person involved with the installation, operation and maintenance of this device has to be qualified
- User must follow the instructions of this manual
- Unqualified person cannot open the housing cover and operate the device, or the dealer will not accept liability for any result defects or problems.
- The device against rain and moisture

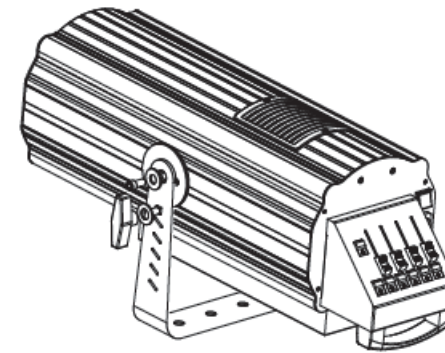
2). Warning note

- Power Supply AC100v-240v,50HZ/60HZ
- Make sure the power switch is off, the power plug, outlet and the earth connection is in well condition before connecting the device with the mains
- Please use qualified power plug and outlet. Never connect the power cord of this device with other electrical equipment.
- During move and installation. make sure the device not crashed with metal parts and other materials
- Always disconnect from the mains, when the device is on installation and dismantled
- The minimum distance between light-output and the illuminated surface must be more than 50cm
- The device must only be installed on a non-flammable surface. In order to safeguard sufficient ventilation, leave 50 cm of free space around the device. Please note that heat-sensitive objects may be deformed or damaged by the emitted heat.
- During the operation the housing becomes very hot! Do not operate the device for 15 minutes after switching off.
- The maximum ambient temperature $T_a-45^{\circ}\text{C}$ must never be exceeded. The maximum housing temperature $T_b-60^{\circ}\text{C}$ must never be exceeded
- For indoors use
- Replace any visible cracked protective shield, filter and lens
- The protective shield, filters and lens will require weekly cleaning as smoke "fluid tends to building up to residues, reducing the light" Can put very quickly.

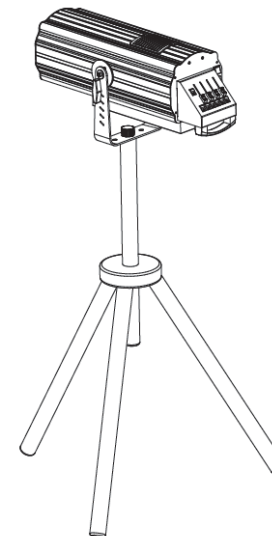
III INSTALLATION

1. Installation

- When installation, keep the device far away the heat sensitive objects and explosives sensitive objects, leave at least 50cm of free space around the device.
- When install devices, please first fix the mounting holder on the device, as shown in the figure:



- Then put the device on the stand, make sure that the stand must be placed on the ground smoothly, and tighten all the fasteners.



- Please use qualified use qualified stand, and make sure the stand can withstand more than ten times the weight of device.

2. Connection with mains

- The person involved with the power connection must be qualified, and has the electrical engineering certificate.
- Connect the device to the mains with the power plug.
- The earth has to be connected.
- Power consumption 450W, input power supply AC100V-240V, 50/60Hz.

3. Replacing fuse

- Before replacing the fuse, unplug mains lead.
- Procedure:

Step 1: Unscrew the fuse holder on the rear panel with a fitting screwdriver from the housing (anti-clockwise).

Step 2: Remove the old fuse in the fuse holder.

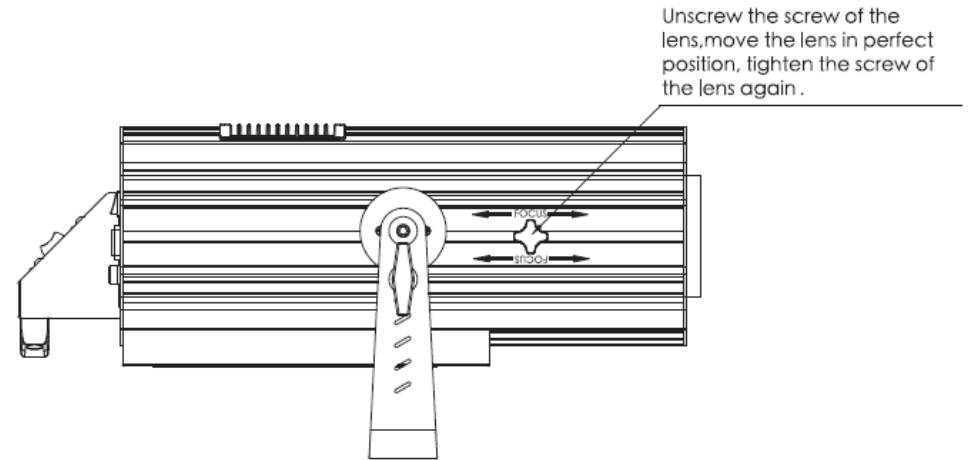
Step 3: Install the new fuse in the fuse holder.

Step4: Replace the fuse holder in the housing and fix it.

4. Focus

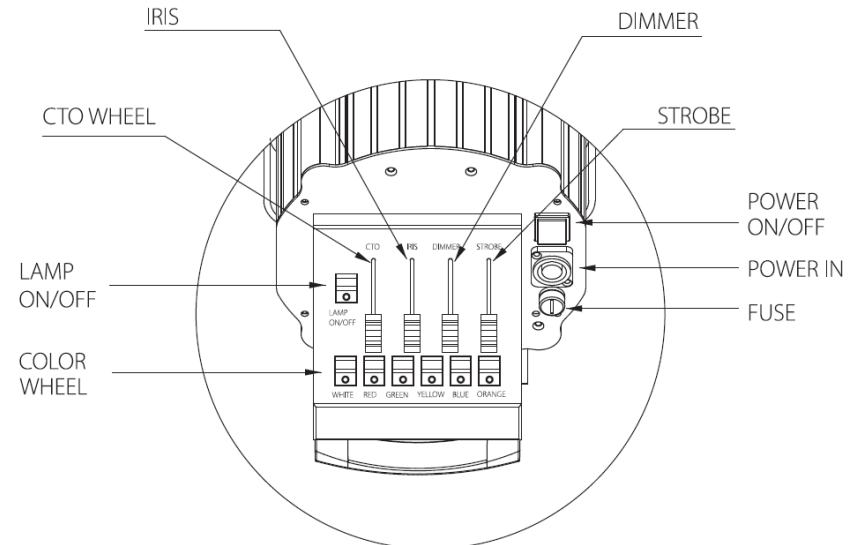
- The objective lens cylinder is usually shrinked before leaving factory after connect the projector to the mains, user may loose the screws and pull out the lens cylinder, till the white light output circular is clearly presented, locking tightly the two screws again.
- When the projection distance is changed, user can follow previous operating steps

and focus the projector.



IV OPERATION

1. Description of the keys



V DMX CHANNELS

	DMX CONTROL CHANNEL	
1CH	WHITE	000-----015
	WHITE+RED	016-----040
	RED	041-----063
	RED+ GREEN	064-----087
	GREEN	088-----111
	GREEN+ YELLOW	112-----136
	YELLOW	137-----159
	YELLOW+BLUE	160-----183
	BLUE	184-----207
	BLUE+ ORANGE	208-----231
	ORANGE	232-----255
2CH	TEMP8000-8500K	000-----063
	TEMP5600K	064-----127
	TEMP4500K	128-----191
	TEMP3200K	192-----255
3CH	IRIS	000-----255
4CH	DIMMER INTENSITY	000-----255
5CH	STROBE	000-----255
6CH	Reset	000-----255

VI APPENDIX

Problem and solution

Problem	Reason	Resolution
Device not work	No power	AC100-240V, 50/60Hz
		Check the power connection, and make sure device connect the mains in well condition.
		Check if the switch is on. Check if the fuse is good.
LED Bulb is off	LED bulb damaged	Replacing LED bulb
	LED drive board damaged	Replacing LED drive board
	Temperature switch damaged	Replacing temperature switch
Fans not work	Fans damaged	Replacing fans

Caution

- Unqualified person involved with installation, operation and maintenance of this device is prohibited
- If any above mentioned problem happened, or unknown problem happened, please contact manufacturer or distributor for assistance.

Please keep this manual as a reference.

Thanks again for your business. We truly appreciate it!